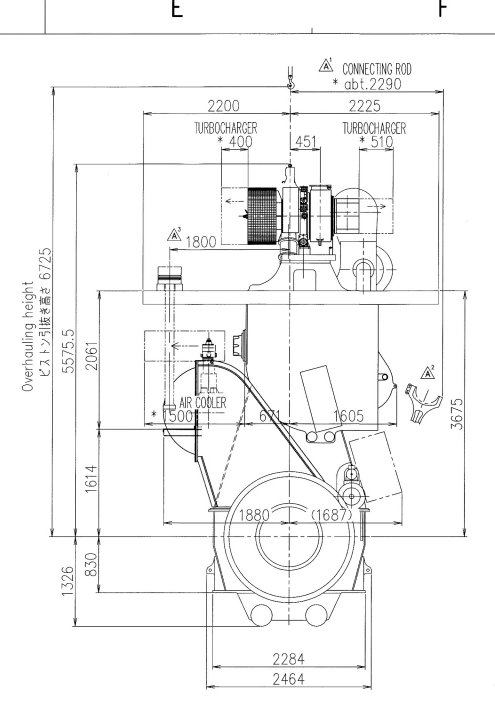
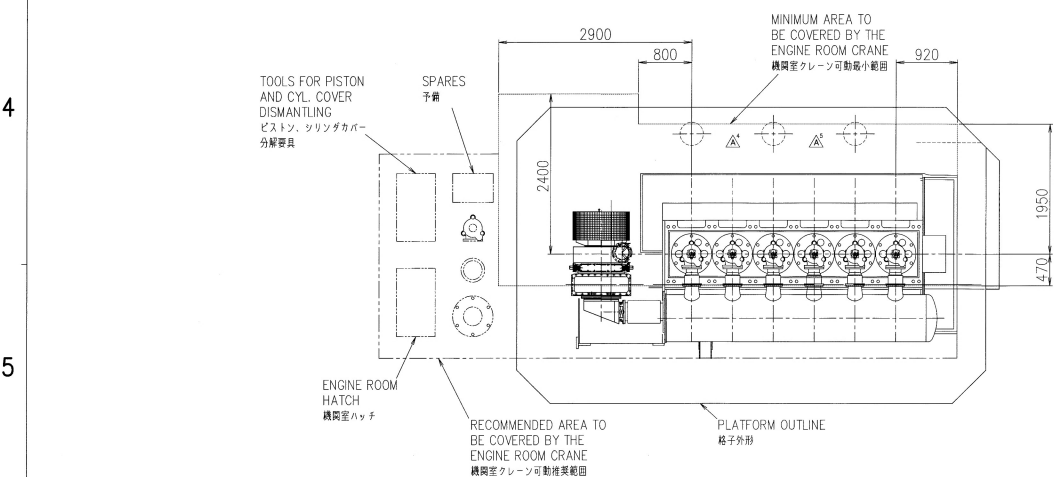


View from exhaust side
 排気側より見る



View B
 B視



View A
 A視

*SPACE FOR REMOVAL
 開放スペース
 TURBOCHARGER MET33MB

前図と引換えのこと
 基本図

THIS DRAWING IS THE PROPERTY OF MITSUBISHI HEAVY INDUSTRIES, LTD., AND SHALL NOT BE REPRODUCED, NOR BE USED TO FURNISH ANY INFORMATION FOR MAKING DRAWINGS OR APPARATUS EXCEPT FOR THE CASE WHERE MITSUBISHI AGREES WITH WRITTEN MATERIALS.

COMMON VARIATION OF TOLERANCE (M.M)	RANGES OF NOMINAL DIMENSION									
	0 TO 5	5 TO 10	10 TO 30	30 TO 100	100 TO 400	400 TO 1000	1000 TO 2000	2000 TO 4000	4000 TO 8000	8000 TO 16000
TOLERANCE	± 0.1	± 0.2	± 0.3	± 0.5	± 0.8	± 1.2	± 2.0	± 2.0	± 2.5	± 3.0

01	ENGINE OUTLINE VIEW								
01	機関全体外形図								
PART NO.	MARK	DESCRIPTION	MATERIALS	Q. SET	Q. TOTAL	WEIGHT (kg)	QUANTITY PER SET		
DATE	APPROVED	DATE	APPROVED	GUEC33LSE ENGINE OUTLINE VIEW (MET33MB)					
2015.09.01	江戸	2015.09.01	石原	機関全体外形図 (MET33MB) 00-00 字表外					
OWNER	DATE DRAWN	SCALE	DRAWING NO.	REV. NO.	U1-0E045				
	2015.09.01	1/40			MITSUBISHI HEAVY INDUSTRIES MARINE MACHINERY & ENGINE CO., LTD. DRAWN ISSUED				