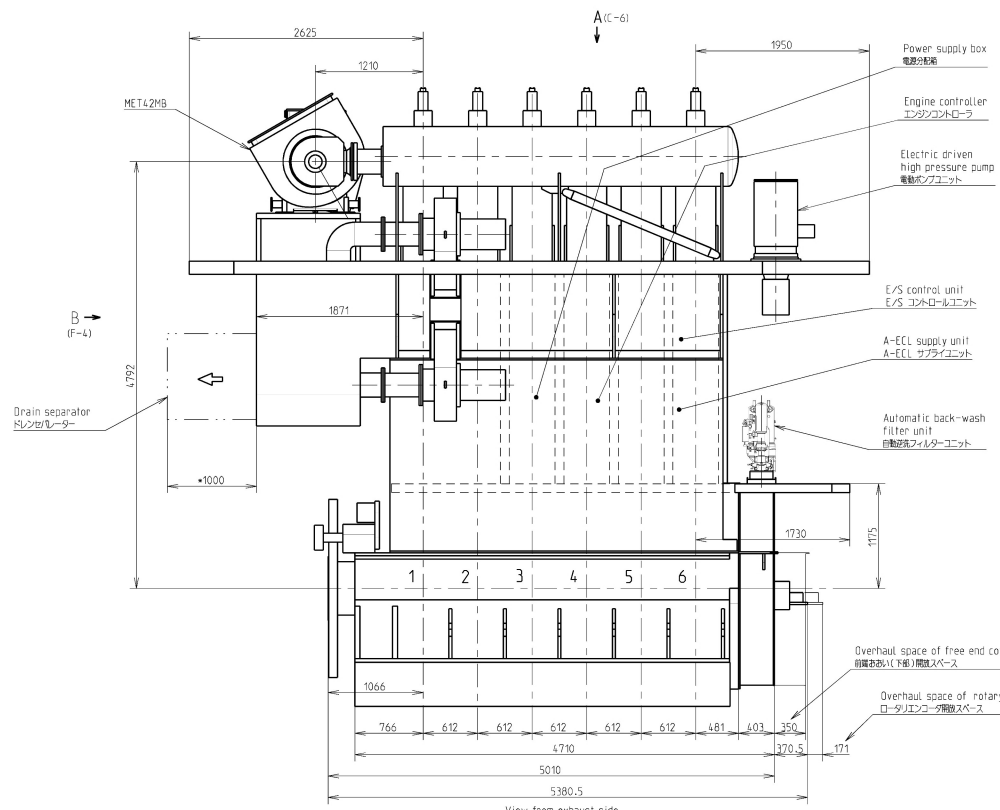
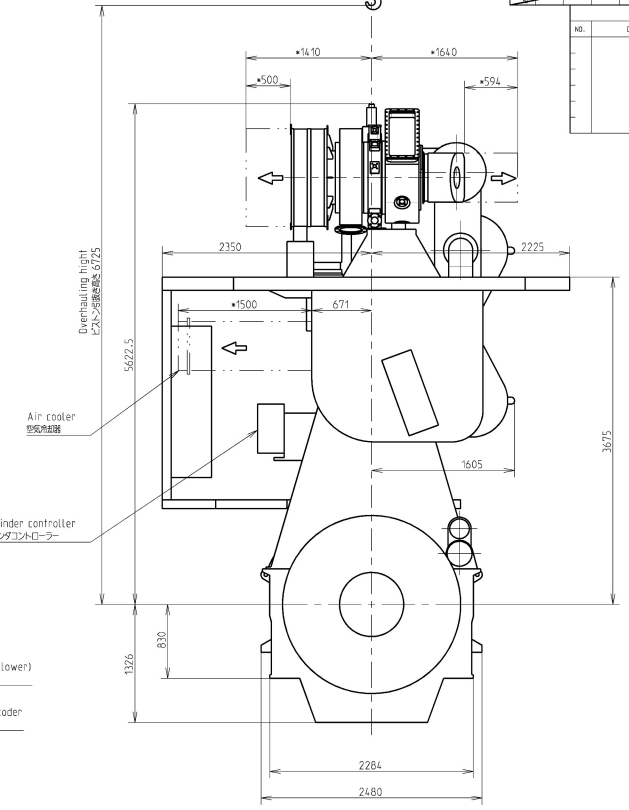


| | | | |
|--------------------------------|-------------|--------------------------|---------|
| 1st ANGLE PROJECTION | | ISO METRIC SCREW THREADS | |
| REVISIONS | | | |
| NO. | DESCRIPTION | DATE | CHECKED |
| PLAN RECORD | | | |
| PREVIOUS DRAWING | | | |
| U1-0E050 | | | |
| 空気圧機 950mm×455mm×1395mm用 機関台機用 | | | |

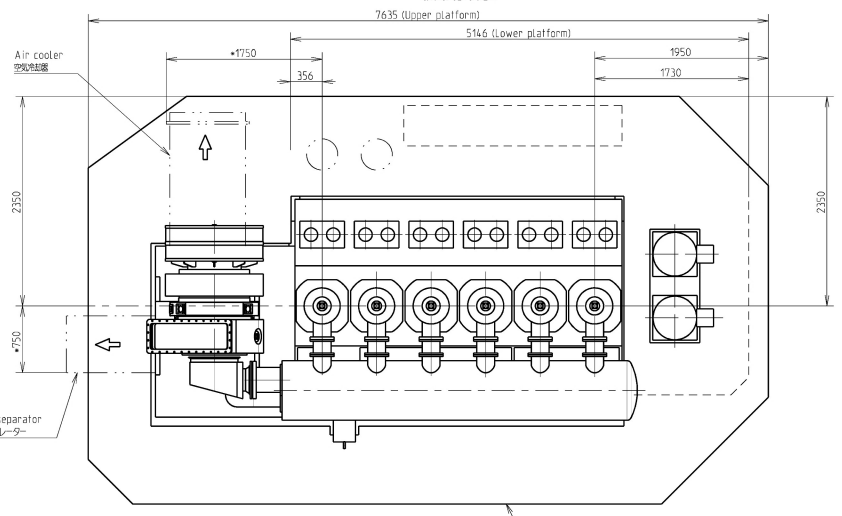
1
2
3
4
5
6



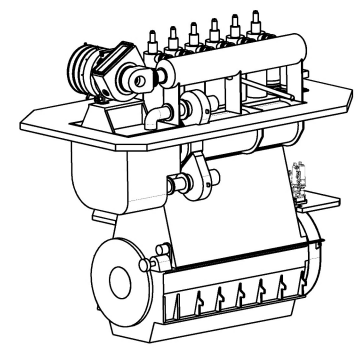
View from exhaust side
排気側より見る



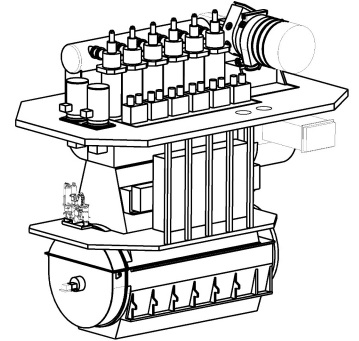
B
(A-2)



A
(C-1)



1/60



1/60

基本図

- Space for removal
- 撤去スペース

THIS DRAWING IS THE PROPERTY OF MITSUBISHI HEAVY INDUSTRIES MARINE MACHINERY & ENGINE CO., LTD. AND SHALL NOT BE REPRODUCED, NOR BE USED TO FURNISH ANY INFORMATION FOR MAKING DRAWINGS OR APPARATUS EXCEPT FOR THE CASE WHERE MITSUBISHI AGREES WITH WRITTEN MATERIALS.

| COMMON VARIATION TOLERANCE (mm) | RATINGS OF NOMINAL DIMENSION | | | | | | | | | | |
|---------------------------------|------------------------------|--------------|----------------|------------------|-------------------|-------------------|-------------------|--------------------|---------------------|---------------------|----------------------|
| | OVER 0 TO 6 | OVER 6 TO 30 | OVER 30 TO 100 | OVER 100 TO 1000 | OVER 1000 TO 2000 | OVER 2000 TO 4000 | OVER 4000 TO 8000 | OVER 8000 TO 16000 | OVER 16000 TO 32000 | OVER 32000 TO 63000 | OVER 63000 TO 125000 |
| MP-CAD | ±0.1 | ±0.2 | ±0.3 | ±0.5 | ±0.8 | ±1.2 | ±2.0 | ±3.0 | ±5.0 | ±8.0 | ±12.5 |

| DATE | APPROVED | DESCRIPTION | MATERIALS | QTY PER SET | TOTAL QTY |
|---|----------|-----------------------------------|-----------|-------------|-----------|
| 2017-02-02 <td>江戸</td> <td>6UEC35LSE-Eco Engine outline view</td> <td></td> <td></td> <td></td> | 江戸 | 6UEC35LSE-Eco Engine outline view | | | |
| DATE | CHECKED | DATE | SCALE | DRAWING NO. | REV. NO. |
| 2017-02-02 | 中野 | 2017-02-02 | 1/30 | U1-0E057 | 1/1 |

DRAWING NO. U1-0E057