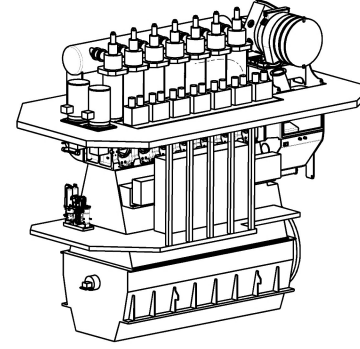
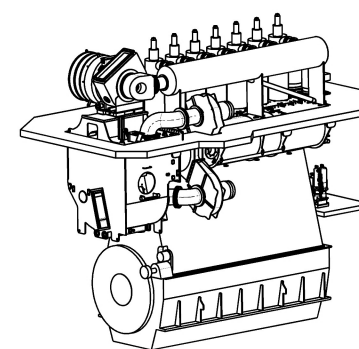
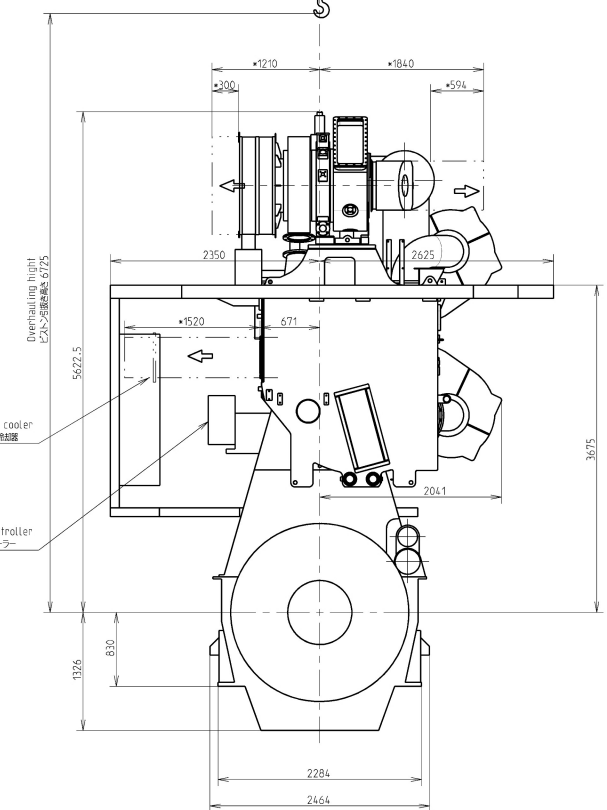
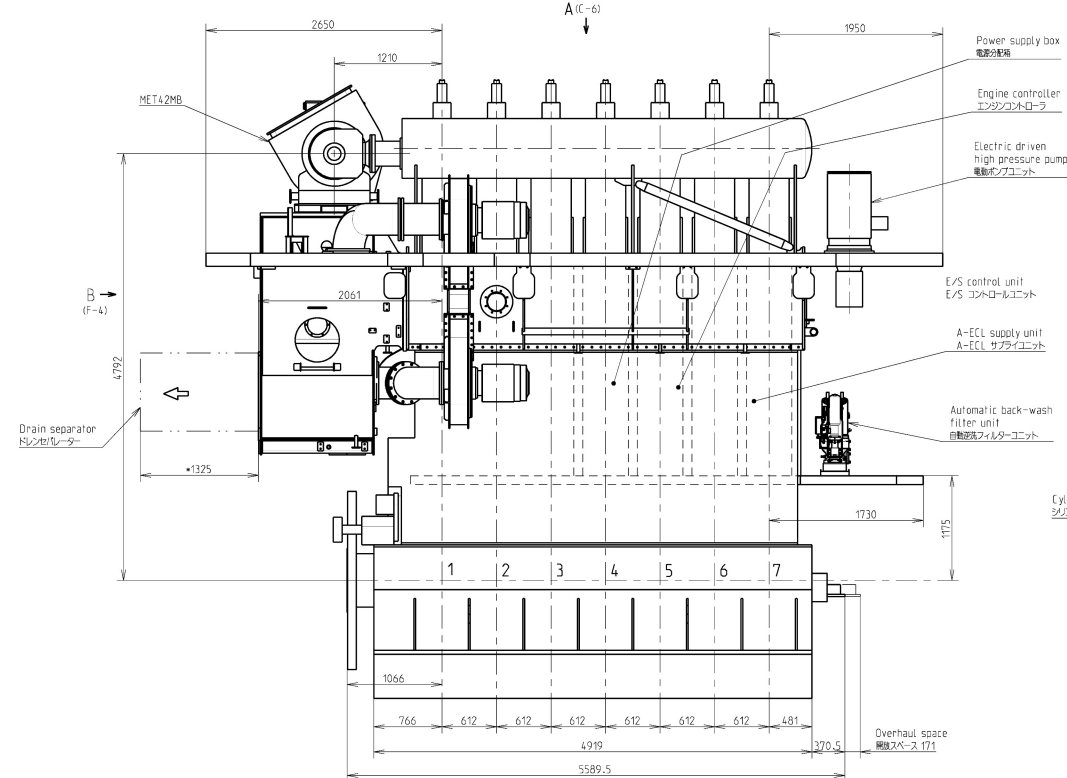


DATE		UNDER	UNDER	UNDER	UNDER	UNDER	UNDER	PREVIOUS DRAWING
DATE	DATE	DATE	DATE	DATE	DATE	DATE	DATE	U1-0E050/B, U1-0E074/-
REVISIONS								
NO.	DATE	DESCRIPTION	DATE	ZONE	APP. BOX	CHECK ID	DRAWN	

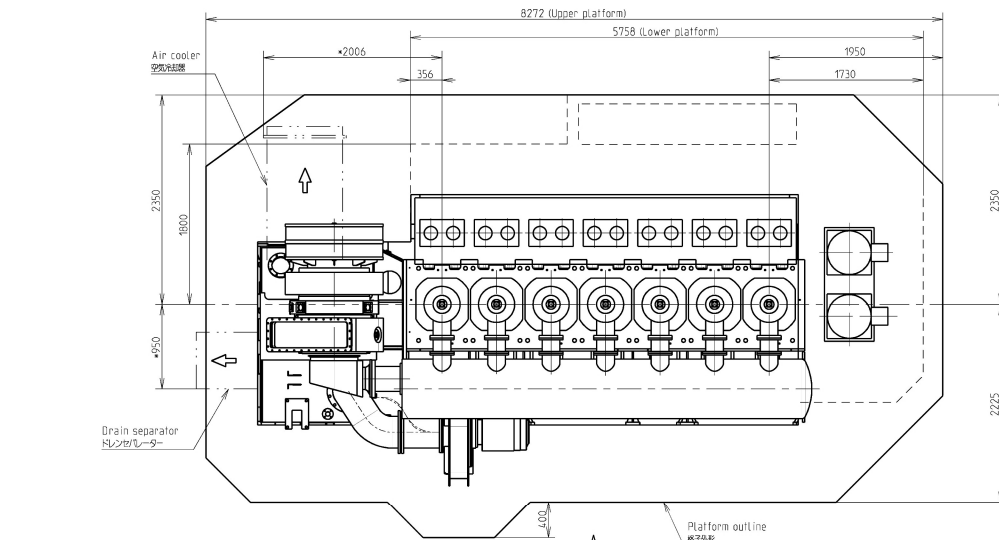
1  
2  
3  
4  
5  
6



1/60

1/60

- Space for removal (撤去スペース)



A (C-1)

COMMON VARIATION TOLERANCE (PM-HING)	RATIO OF NOMINAL DIMENSION	OVER 0.3 TO 0.30	OVER 0.4 TO 0.30	OVER 0.5 TO 0.30	OVER 0.6 TO 0.30	OVER 0.8 TO 0.30	OVER 1.0 TO 0.30	OVER 1.5 TO 0.30	OVER 2.0 TO 0.30	OVER 3.0 TO 0.30	OVER 4.0 TO 0.30	OVER 6.0 TO 0.30	OVER 10.0 TO 0.30
PLM	TOLERANCE	±0.1	±0.2	±0.3	±0.5	±0.8	±1.2	±2.0	±3.0	±5.0	±7.5	±12.5	±20.0

THIS DRAWING IS THE PROPERTY OF JAPAN ENGINE CORPORATION AND SHALL NOT BE REPRODUCED, NOR BE USED TO FABRICATE ANY INSTRUMENTATION FOR MAKING DRAWING OR APPARATUS EXCEPT FOR THE CASE WHERE JAPAN ENGINE CORPORATION AGREE IN WRITING TO THIS EFFECT.

APPROVED	江戸	APPROVED		<b>7UEC35LSE-Eco</b>	
CHECKED	吉川, 木下	CHECKED		Engine outline view	
DRAWN	岡村	DRAWN		1/1	
DATE: 2019-07-02				DRAWING NO. 00-00	
SCALE: 1/30				U1-0E078	
1st ANGLE PROJECTION				REV. 計	

機関全体外形図 (MET42MB x1)

Must shall comply with JIS (Japan Industrial Standards).  
Material shall comply with JIS unless otherwise specified.

JAPAN ENGINE CORPORATION JP-CAD