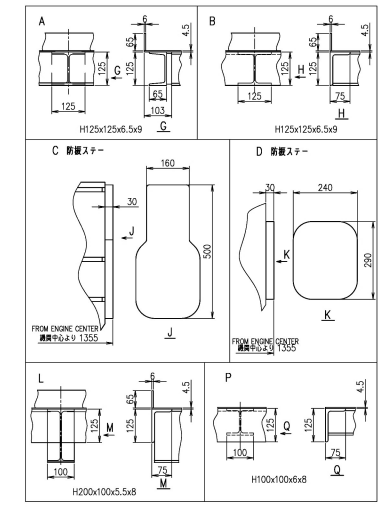
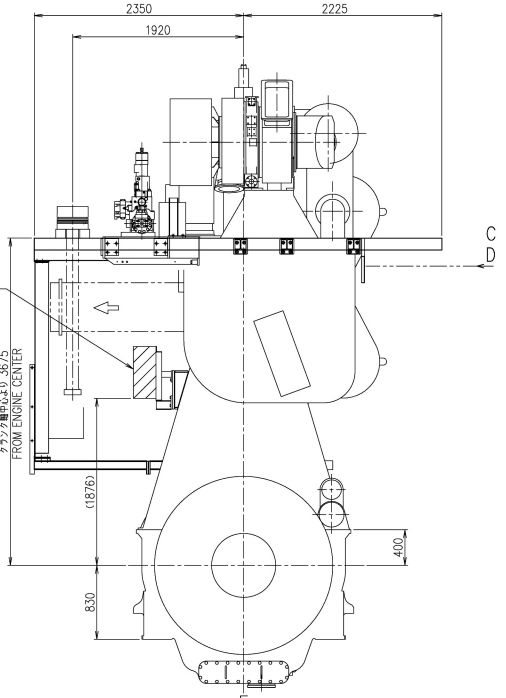
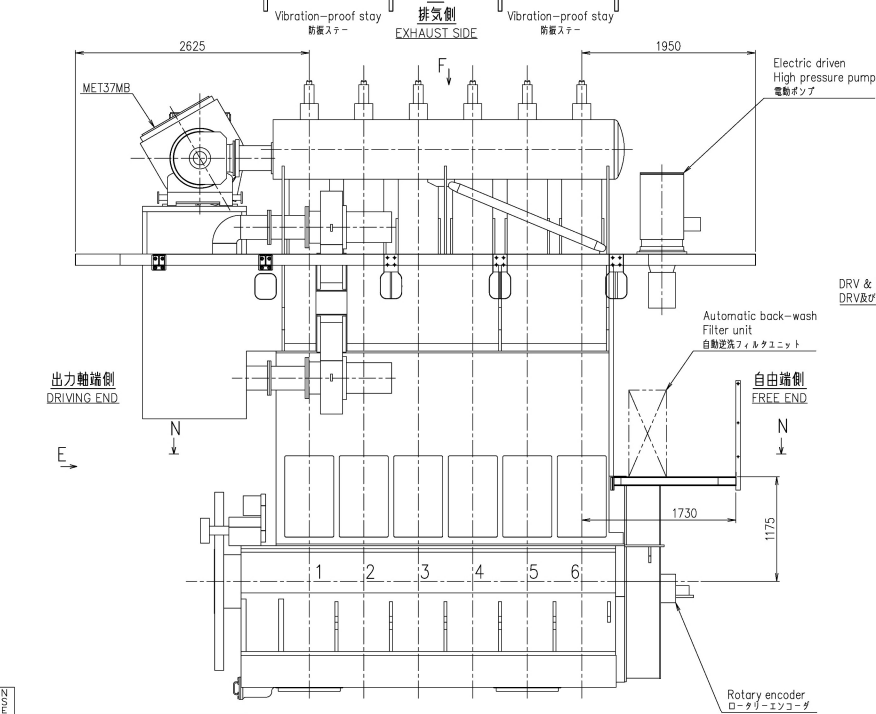
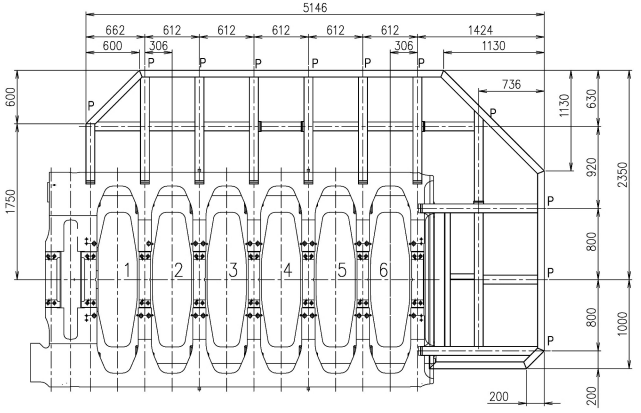
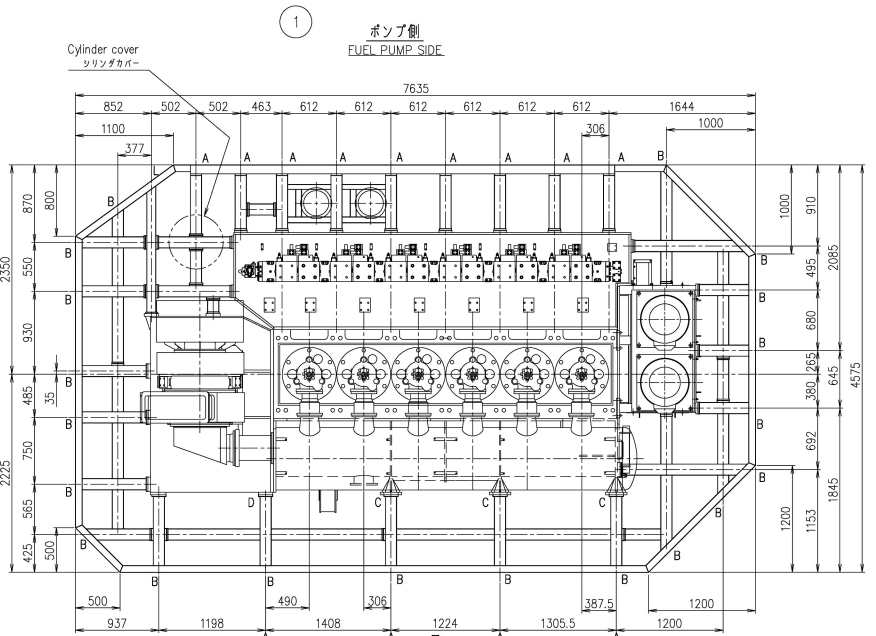


SURFACE FINISH		UNDER 0.8	UNDER 1.6	UNDER 3.2	UNDER 6.3	UNDER 12.5	UNDER 25	UNDER 50	UNDER 100	UNDER 200	UNDER 400	UNDER 800	UNDER 1600
1st ANGLE PROJECTION													
PLAN RECORD													
ISO METRIC SCREW THREADS													
PREVIOUS DRAWING													
U6-6E658, U6-6E659													
MET37MB													
REVISIONS		NO.	DESCRIPTION	(DATE)	ZONE	AP. PROM.	CHK. ED.						



備考
1.取組は4.5mmを基準とする。
REMARKS
1. PLATE THICKNESS OF PLATFORM
TO BE 4.5mm

基本図

THIS DRAWING IS THE PROPERTY OF JAPAN ENGINE CORPORATION AND SHALL NOT BE REPRODUCED, NOT BE USED TO FURNISH ANY INFORMATION FOR MAKING DRAWINGS OR APPARATUS EXCEPT FOR THE CASE WHERE JAPAN ENGINE CORPORATION AGREES WITH WRITTEN MATERIALS.

COMMON VARIATION OF TOLERANCE (M/M)	RATINGS OF NOMINAL DIMENSION	OVER	OVER	OVER	OVER	OVER	OVER	OVER	OVER
		±0.1	±0.2	±0.3	±0.5	±0.8	±1.2	±2.0	±2.0

排気側より見る VIEW FROM EXHAUST SIDE
出力軸端側より見る VIEW FROM DRIVING END SIDE

Platform arrangement		格子配置図		1	
DATE	2017-06-05	DRAWING NO.	U6-6E760		
SCALE	1/30, 1/10	REVISION	00-00		
GUEC35LSE-Eco-B2		PLATFORM ARRANGEMENT		格子配置図	
OWNER	JAPAN ENGINE CORPORATION	DESIGNER	三柳 輝		
DATE	2017-06-05	CHECKED	今中 稔		
SCALE	1/30, 1/10	DRAWN	筒村 誠		