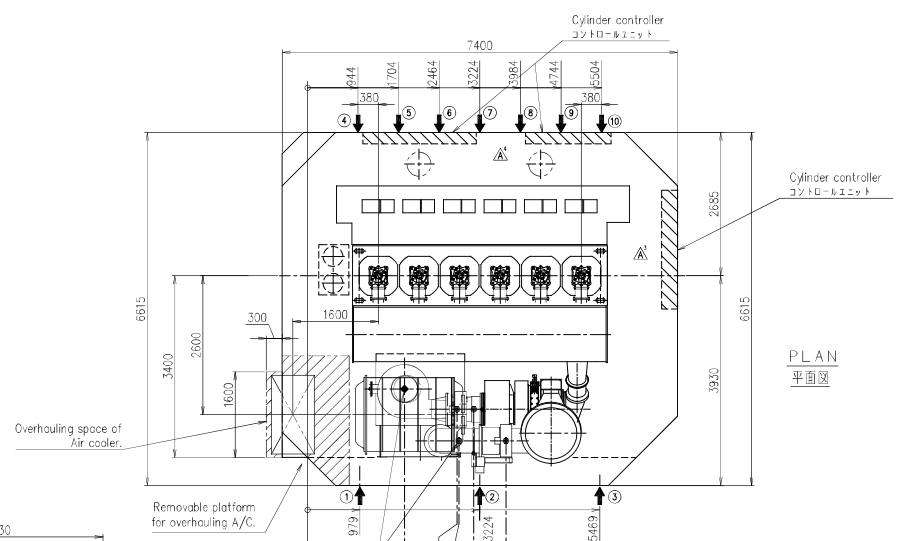


SPRINKLING		UNDER 1.7	UNDER 2.8	UNDER 4.3	UNDER 5.8	UNDER 7.3	UNDER 8.8	UNDER 10.3	UNDER 11.8	UNDER 13.3
FLOORING		UNDER 1.7	UNDER 2.8	UNDER 4.3	UNDER 5.8	UNDER 7.3	UNDER 8.8	UNDER 10.3	UNDER 11.8	UNDER 13.3

PREVIOUS DRAWING: U1-0M007

REVISIONS									
NO.	UC NO.	DESCRIPTION	DATE	ZONE	APP.	CHECK.	DATE	ZONE	DRAWN
A4	UC14071	コントロールユニット配置を変更した。	2022.9.29	全巻	木下	吉川			甘利

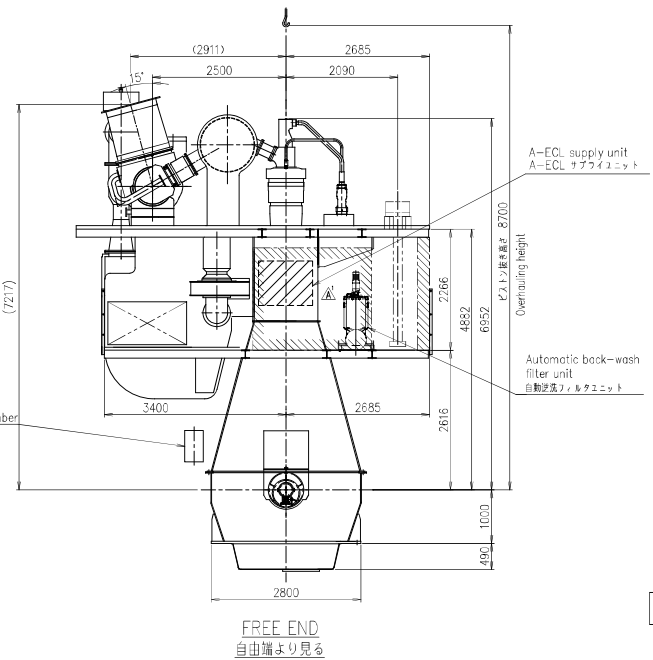
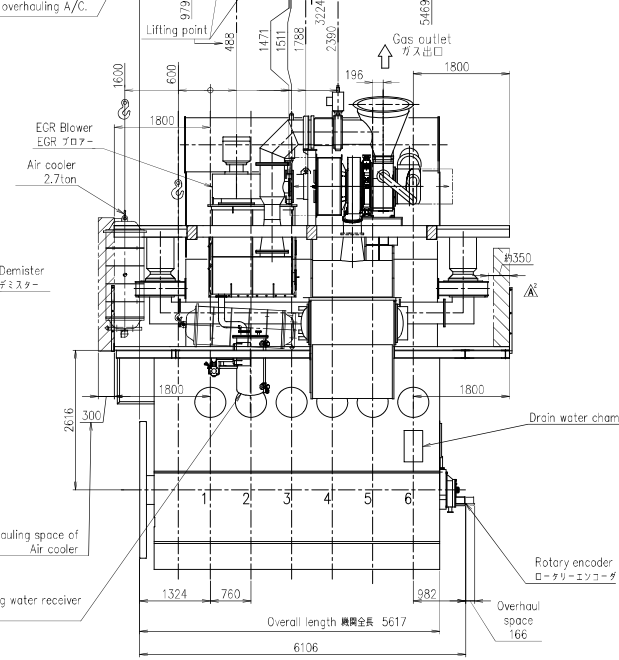
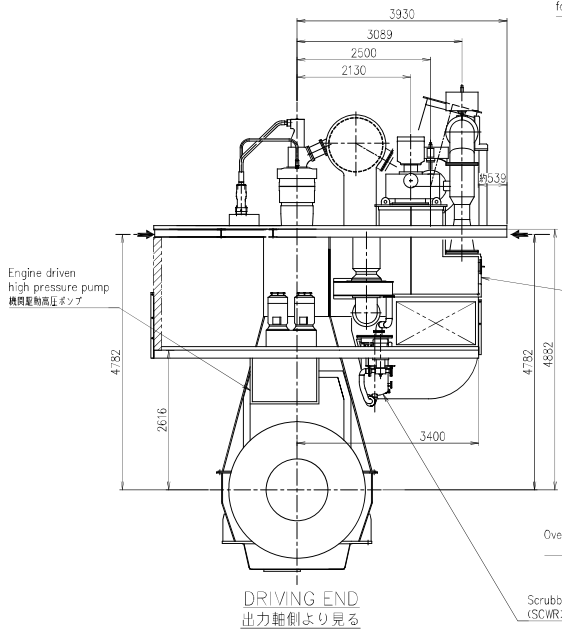
For Tier3



Position of engine stay attachment.
← : 防振ステー配置位置

Type	Total	Exh. side					Pump side				
		①	②	③	④	⑤	⑥	⑦	⑧	⑨	⑩
CASE1 Friction	3	○	○	○	○	○	○	○	○	○	○
CASE2 Hydraulic	4	○	○	○	○	○	○	○	○	○	○
CASE3 Friction	4	○	○	○	○	○	○	○	○	○	○
CASE4 Friction	3	○	○	○	○	○	○	○	○	○	○
CASE5 Friction	4	○	○	○	○	○	○	○	○	○	○

○: Standard position
△: Optional position
Optional position can be applied as below.
(7) → (6) or (8)
(6) → (5) or (7)
(8) → (7) or (9)



PROVISIONAL

DIMENSION	RATINGS OF NOMINAL DIMENSION (MM)	TOLERANCES									
		DNR 0.5 TO 30	DNR 30 TO 120	DNR 120 TO 180	DNR 180 TO 250	DNR 250 TO 400	DNR 400 TO 600	DNR 600 TO 800	DNR 800 TO 1000	DNR 1000 TO 1600	DNR 1600 TO 2000
		+0.1	+0.2	+0.3	+0.5	+0.8	+1.2	+2.0	+2.0	+2.5	

THIS DRAWING IS THE PROPERTY OF JAPAN ENGINE CORPORATION AND SHALL NOT BE REPRODUCED, NOT BE USED TO FURNISH ANY INFORMATION FOR MAKING DRAWINGS OR APPARATUS EXCEPT FOR THE CASE WHERE JAPAN ENGINE CORPORATION AGREES WITH WRITTEN MATERIALS.

◆印寸法はEGRプロフ吊位置を示す。(1.5ton用)
Dimensions indicated with ◆ shows the position of lifting for EGR blower. (for 1.5ton)

●印寸法はEGRガス出入口確認立用の吊ヒース位置を示す。(0.5ton用)
Dimensions indicated with ● shows the position of eye plate for EGR gas inlet / outlet pipes. (for 0.5ton)

1 GENERAL ARRANGEMENT (OUTLINE) 全体装置外形図		DATE: 2022-01-07		DRAWING NO.: U1-0M034		REV. NO.: A	
PART NO.	MARK	DESCRIPTION	MATERIALS	QTY PER SET	WEIGHT (kg)	QUANTITY PER SET	
発注部		6UEC42LSH-Eco-D4-EGR		1/1			
APPROVED		GENERAL ARRANGEMENT (OUTLINE)		1/1			
江戸		全体装置外形図		00-00			
木下		(MET42MB×1)					
CHECKED		SCALE: 1/50					
吉川							
DRAWN							