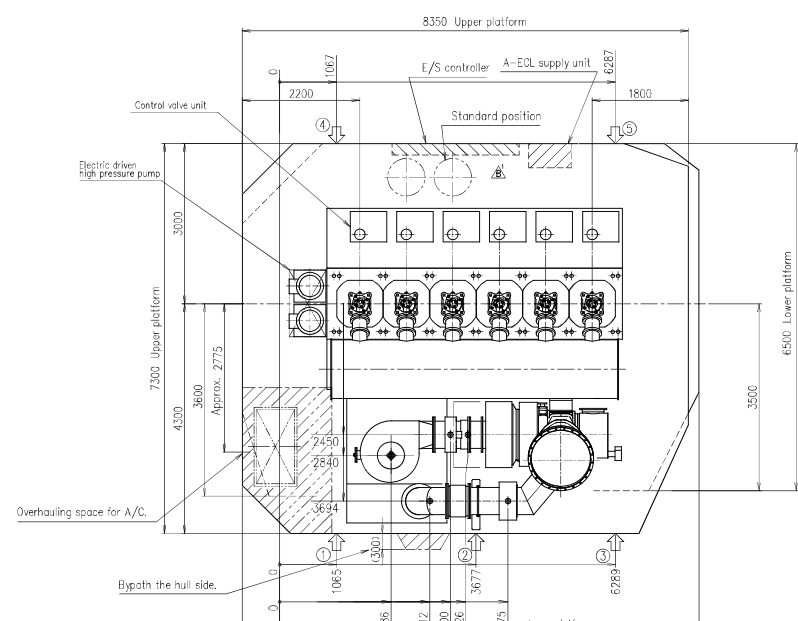


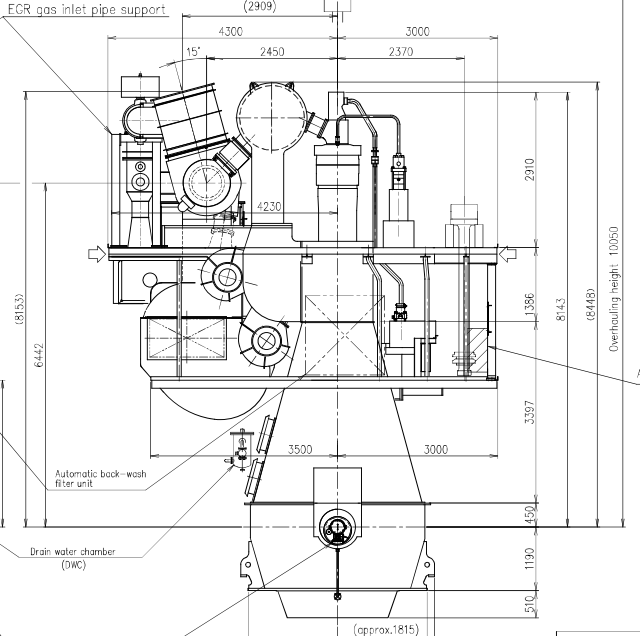
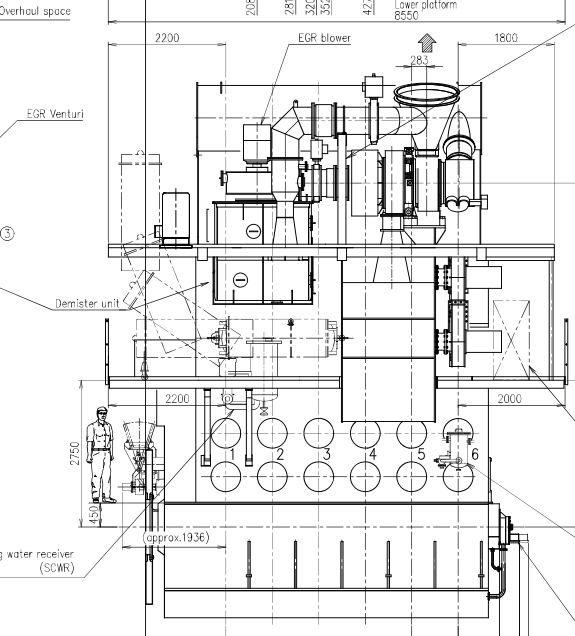
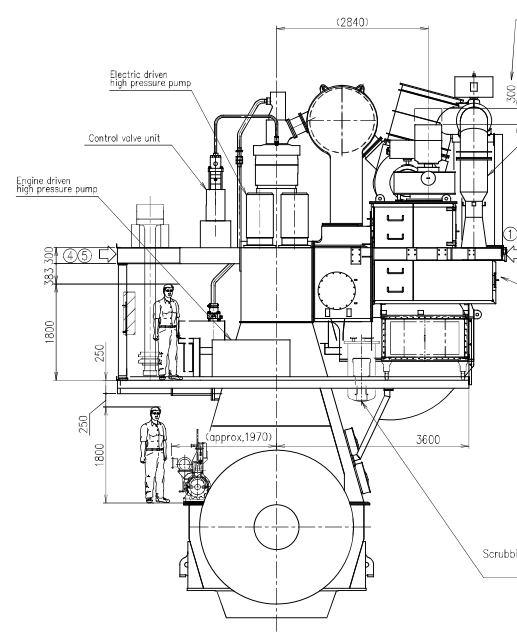
PREVIOUS DRAWING		U1-OK061,U1-OK052					
REVISIONS							
NO.	UC NO.	DESCRIPTION	DATE	ZONE	APP.	CHECK.	DRAWN
A	UC13342	設計選捗によりEGRガス管を見直した。	2021.9.14	全機	船岡	吉川	甘利
B	UC13389	ピストン位置、コントロールユニット配置を見直した。	2021.10.4	D-1	船岡	吉川	甘利

Tier3



Position of engine stay attachment points.
 ← 新据え手配置可能位置
 ⊕: Friction ⊗: Hydraulic

Engine stay type	①	②	③	④	⑤	TOTAL
CASE1	⊕	⊕	⊕	⊕	⊕	3
CASE2	⊕	⊕	⊕	⊕	⊕	4
CASE3	⊕	⊕	⊕	⊕	⊕	4



COMMON TOLERANCE OF NOMINAL DIMENSION (MACHINING)	RA TINGS OF NOMINAL DIMENSION	DWER	DWER	DWER	DWER	DWER	DWER	DWER	DWER	DWER
(0.05)	TOLERANCE	0.5 TO 30	30 TO 120	120 TO 150	150 TO 300	300 TO 500	500 TO 1000	1000 TO 2000	2000 TO 4000	4000 TO 8000
		+0.1	+0.2	+0.3	+0.5	+0.8	+1.2	+2.0	+2.0	+2.5

THIS DRAWING IS THE PROPERTY OF JAPAN ENGINE CORPORATION AND SHALL NOT BE REPRODUCED, NOT BE USED TO FURNISH ANY INFORMATION FOR WAVING DRAWINGS OR APPROPRIATE EXCEPT FOR THE CASE WHERE JAPAN ENGINE CORPORATION AGREES WITH WRITING MATERIALS.

●印付法はEGRブロワ位置を示す。(1.5ton用)
 Dimensions indicated with ● show the lifting position of EGR blower. (for 1.5ton)

●印付法はEGRガス出入口管吊立用の吊位置を示す。(0.5ton用)
 Dimensions indicated with ● show lifting position of EGR gas inlet / outlet pipes. (for 0.5ton)

1		General arrangement	1		
1		全体装置外形図	1		
PART NO.	MARK	DESCRIPTION	MATERIALS	WEIGHT TOTAL	QUANTITY PER SET
開発部		6UEC50LSJ-EGR			
APPROVED	江戸	General arrangement			
CHECKED	木下	(Outline)			
DRAWN	甘利	全体装置外形図			1/1
		(MET48MBx1)			00-00
DATE	2020.2.6	DRAWING NO.			
SCALE	1/50	REV. NO.			
1st ANGLE PROJECTION		REV. B			