

A

B

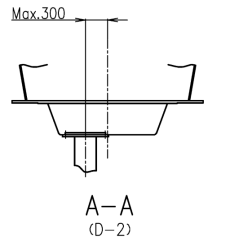
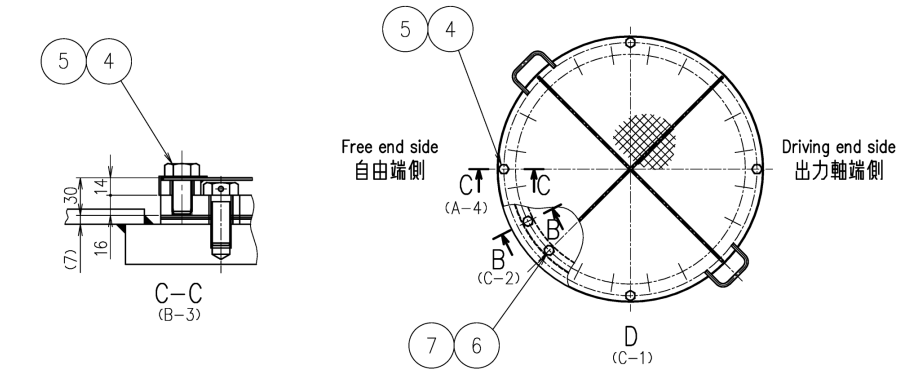
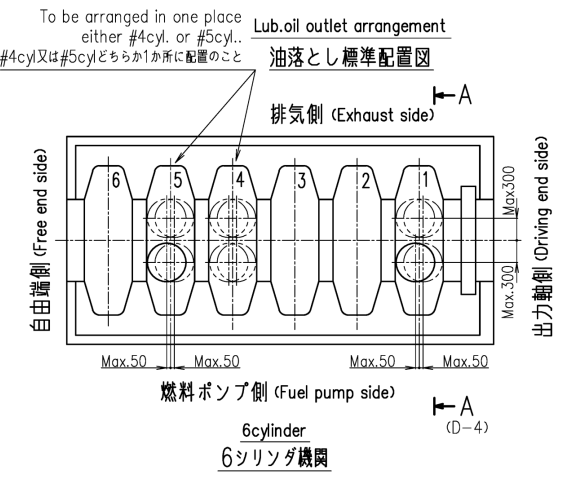
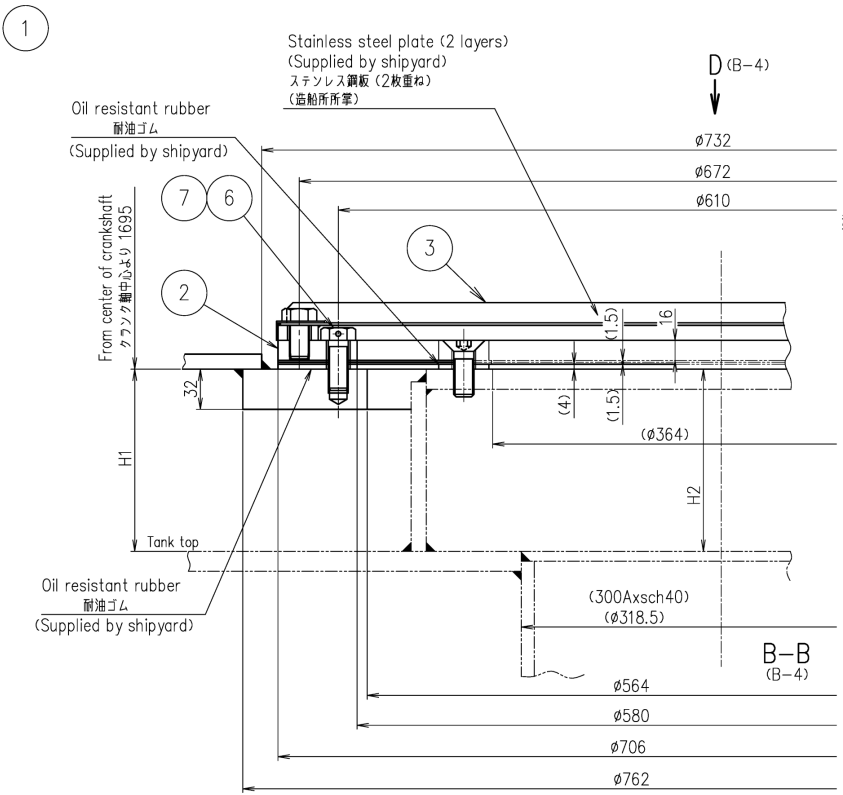
C

D

E

A2

SURFACE FINISH	RATINGS	UNDER	UNDER	UNDER	UNDER	APP-MA CHD SURFACE	PREVIOUS DRAWING		
	(a)	0.8	6.3	25	100		U1-1K004		
REVISIONS									
NO.	UC NO.	DESCRIPTION	DATE	ZONE	APP- PROVED	CHECK ED	DRAWN		
△		油落とし位置許容範囲を見直した。	2013-12-18	C,D-2	江戸	吉川	田中		
△	UC11525	図面群を差し替えた。 50LSJを造設した。	2018-06-26		青田	木下	吉川		



- 備考
1. 本図記載の部品の内符号(2)~(7)を除き造船所所掌。
 2. 寸法H1, H2は台板据付後計測の上決定。
 3. 寸法H1, H2の差は2mm以内。
- Remarks
1. All parts except (2)~(7) are supplied by shipyard.
 2. H1 and H2 are measured after placing and alignment of bedplate.
 3. The difference between H1, and H2 is to be less than 2mm.

PART NO.	MARK	DESCRIPTION	MATERIALS	TEST P.	1-PIECE WEIGHT (kg)	TOTAL QUANTITY PER SET
U6-78064-23	7	Wire 針金 φ1.6x3000	SWMGS1		0.06	0.12 2
U1008.09.17	6	Hex. bolt with wire hole 針金穴付六角ボルトM16x40	SS400		0.1	4.0 40
X7195.08.01	5	Tongue washer 舌付座金 M16	SPC1		0.01	0.08 8
X7004.09.15	4	Hex.bolt 六角ボルト M16x30	SS400		0.1	0.8 8
U1-1K025-01	3	Filter assembly こし網組立			8.7	17.4 2
U1-1K024-01	2	Retainer ring 押えリング	SS400		1.52	3.04 2
	1	General arrangement 配置図				25.4 Set 1組

開発部	APPROVED	6UEC50LSH-Eco/50LSJ		出図先
杉原	APPROVED	Arrangement of Lub. oil outlet		品証
江戸	CHECKED	台板油落とし要領図		調達
吉川	CHECKED	1/1		組立
浅田	DRAWN	52-01		機械
				生計

COMMON VARIATION OF TOLERANCE (M.M)	RATINGS OF NOMINAL DIMENSION	OVER 0.5 TO 6	OVER 6 TO 30	OVER 30 TO 120	OVER 120 TO 400	OVER 400 TO 1000	OVER 1000 TO 2000	OVER 2000 TO 4000	OVER 4000 TO 8000	OVER 8000 TO 16000
TOLERANCE		± 0.1	± 0.2	± 0.3	± 0.5	± 0.8	± 1.2	± 2.0	± 2.0	± 2.5

THIS DRAWING IS THE PROPERTY OF JAPAN ENGINE CORPORATION. AND SHALL NOT BE REPRODUCED, NOT BE USED TO FURNISH ANY INFORMATION FOR MAKING DRAWINGS OR APPARATUS EXCEPT FOR THE CASE WHERE JAPAN ENGINE CORPORATION AGREES WITH WRITTEN MATERIALS.

ACAD

1st ANGLE PROJECTION DATE DRAWN 2013-11-13 DRAWING NO. U1-1K023 REV.NO. B

SCALE 1/3,1/10

Weld shall comply with JIS (Japan Industrial Standards). Material shall comply with JIS unless otherwise specified.

JAPAN ENGINE CORPORATION