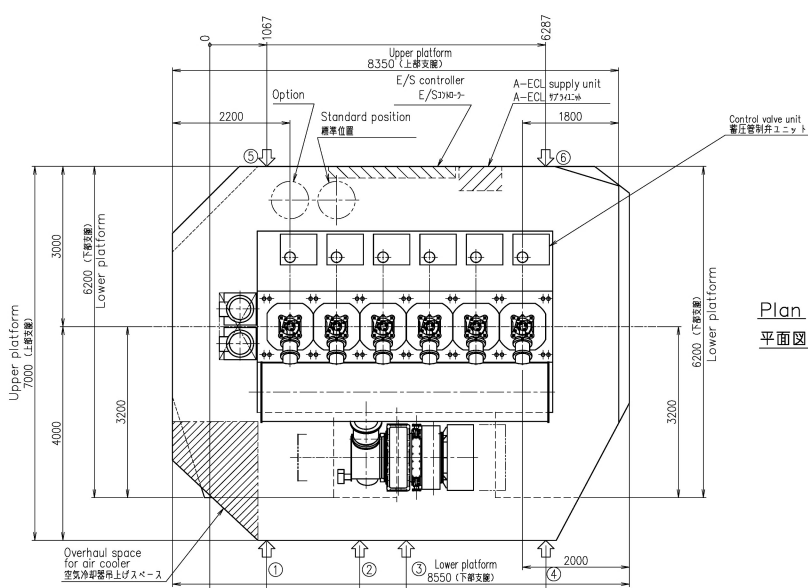


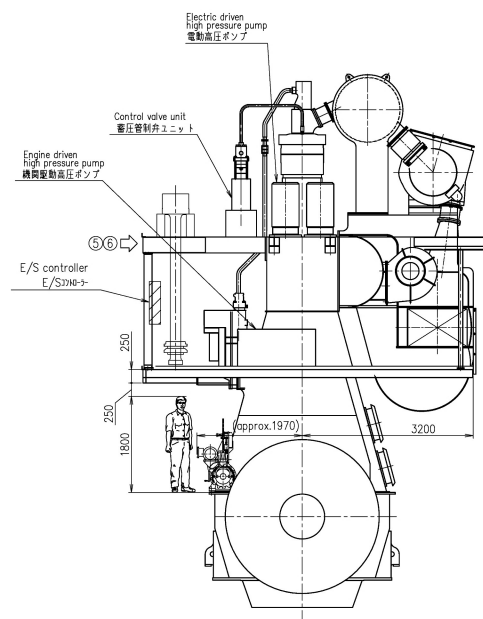
Tier2		PREVIOUS DRAWING U1-0K056,U1-0K054					
REVISIONS							
NO.	UC NO.	DESCRIPTION	DATE	ZONE	APP. PROJ. DR.	CHECK. DR.	DRAWN



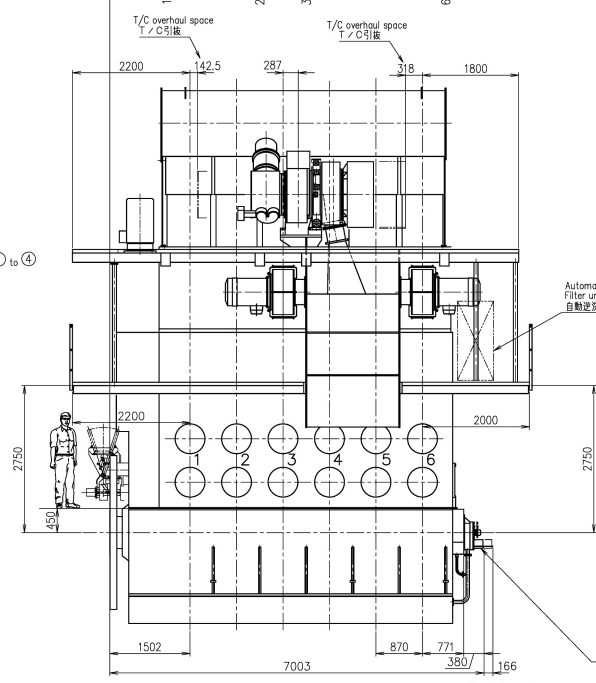
Plan
平面図

Position of engine stay attachment points.
：防振入テ-配通可能位置

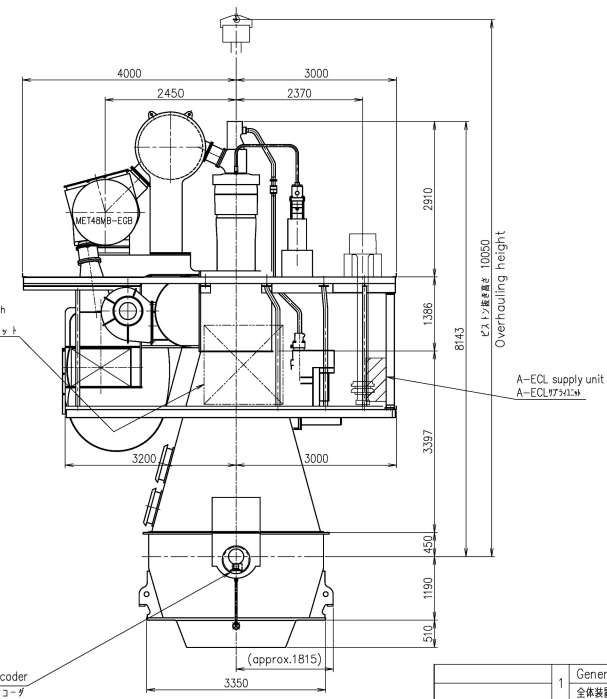
Engine stay type	1	2	3	4	5	6	TOTAL
Friction	CASE1	○	○	○	○	○	3
	CASE2	○	○	○	○	○	3
	CASE3	○	○	○	○	○	4
Hydraulic	○	○	○	○	○	○	4



DRIVING END
出力軸端より見る



EXHAUST SIDE
排気側より見る



FREE END
自由端より見る

COMMON VARIATION OF TOLERANCE (MACHINE)	RATINGS OF NOMINAL DIMENSION	OVER 0.5 TO 0.6	OVER 0.6 TO 1.0	OVER 1.0 TO 3.0	OVER 3.0 TO 10.0	OVER 10.0 TO 30.0	OVER 30.0 TO 100.0	OVER 100.0 TO 300.0	OVER 300.0 TO 1000.0	OVER 1000.0 TO 3000.0	OVER 3000.0 TO 10000.0	OVER 10000.0 TO 30000.0	OVER 30000.0 TO 100000.0	OVER 100000.0 TO 300000.0	OVER 300000.0 TO 1000000.0
TOLERANCE (mm)		+0.1	+0.2	+0.3	+0.5	+0.8	+1.2	+2.0	+2.0	+2.5					

ACAD

1 General arrangement 全体装置外形図		1						
PART NO.	MARK	DESCRIPTION	MATERIALS	QTY	1-PIECE	TOTAL	QUANTITY PER SET	出図先 品名 品目 品番 品名 品番 品名 品番
開発部	江戸	6UEC50LSJ						6UEC50LSJ General arrangement (Outline) 全体装置外形図 (ME T48MB-EGbx1) 1/1 00-00
CHECKED	木下							
DRAWN	甘利							
DATE	2020.2.6							
SCALE	1/50							
1st ANGLE PROJECTION		DRAWING NO.		U1-0K068		REV. NO.		1/1
JAPAN ENGINE CORPORATION Material shall comply with JIS (Japan Industrial Standards). Material shall comply with AS unless otherwise specified.								